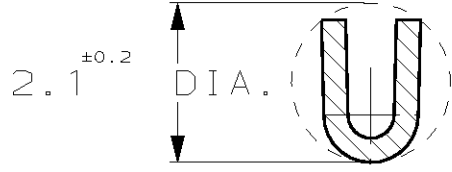
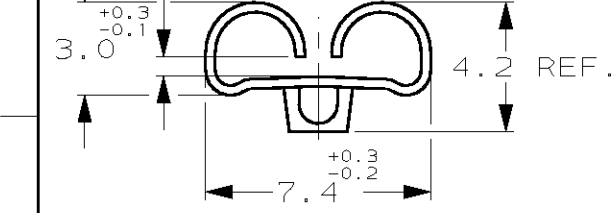
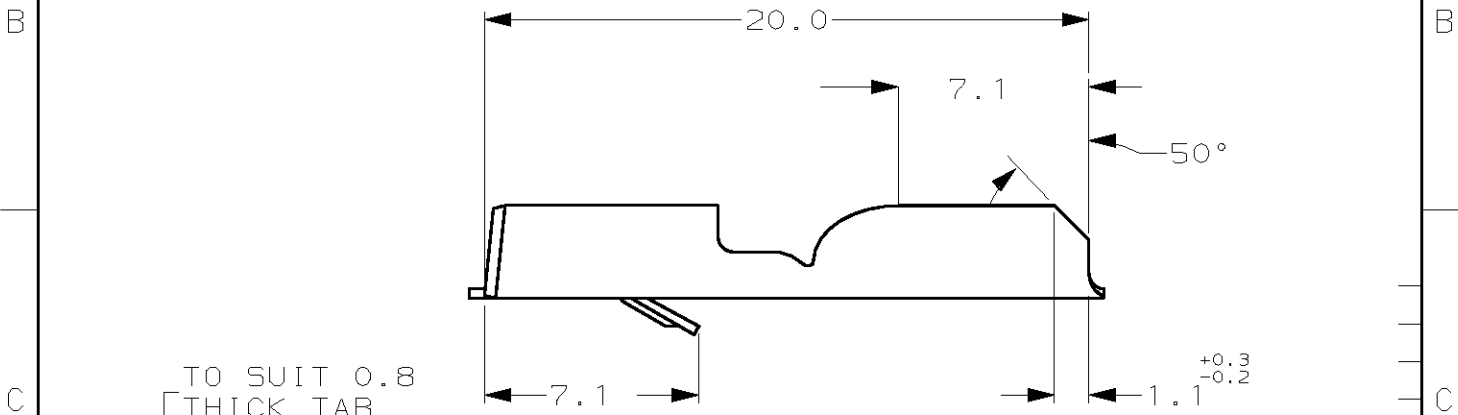
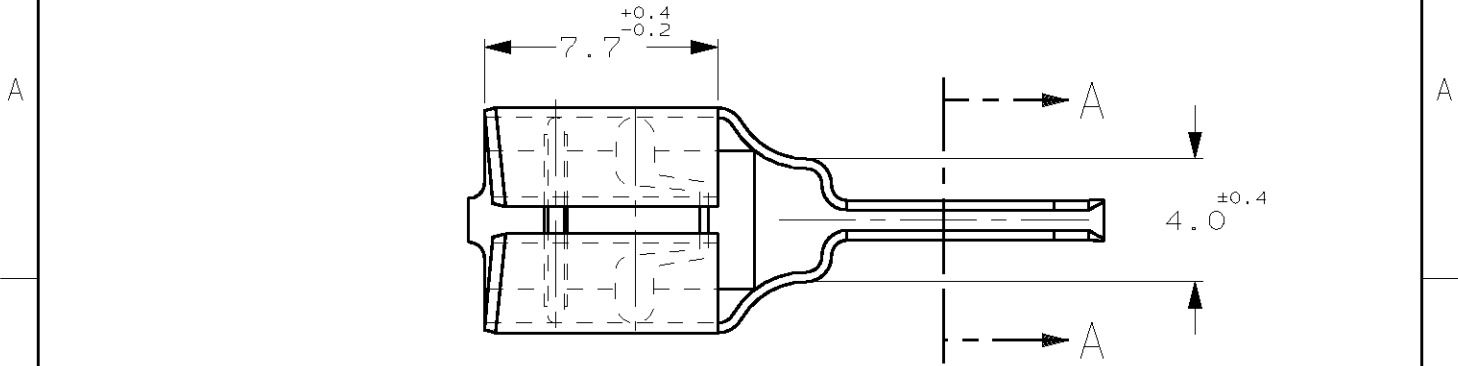


SCALA NON IMPEGNATIVA
(DO NOT SCALE)
DIMENSIONI IN mm
(DIMENSIONS IN)

METRIC

PROIEZIONE EUROPEA
(EUROPEAN PROJECTION)



SECTION A-A
(SCALE 10:1)

| | | | | |
|--------------------------------------|--|-------------------------|-------------------------|-----|
| 160950-4 | ARGENTATO (SILVERPLATED) | OTTONE (BRASS) | 153259-4 | P |
| 160950-3 | STAGNO SENZA PIOMBO (LEAD FREE TIN) | OTTONE (BRASS) | 153259-3 | P |
| 160950-1 | NUDO (UNPLATED) | OTTONE (BRASS) | 153259-1 | P |
| VERSIONE A NASTRO (STRIP VERSION) | FINITURA / COLORE (FINISH / COLOUR) | MATERIALE (MATERIAL) | NUMERO (PART NUMBER) | REV |

CUSTOMER DWG. FOR REFERENCE ONLY **DISEGNO PER CLIENTE SOLO PER RIFERIMENTO**

THIS DRAWING IS UNPUBLISHED RELEASE FOR PUBLICATION 19

© COPYRIGHT 19 BY AMP INCORPORATED, HARRISBURG, PA. ALL INTERNATIONAL RIGHT RESERVED. AMP PRODUCTS MAY BE COVERED BY U.S. AND FOREIGN PATENT AND/OR PATENT PENDING

| | | | |
|---|----------------------------------|-------------------------|---------------|
| TOLLERANZE: SE NON DIVERSAMENTE SPECIFICATO (TOLERANCES, UNLESS OTHERWISE SPECIFIED) | DIAM. ISOLANTE (INS. DIA. RANGE) | RANGO FILO (WIRE RANGE) | SCALA (SCALE) |
| ± 0.3 | - | - | 4:1 |

ANGOLI (ANGLES) ± 2°

AMP **AMP ITALIA S.p.A.**
Conso F.lli Cervi, 15
COLLEGNO (TORINO)

DIS. H. YAALI (DR.) 16 MAY 2003

DESCRIZIONE (DESCRIPTION) FASTIN-FASTON® Connector
6.3 mm sr. RECEPTACLE CONTACT FOR PCB (LOOSE PIECE)

| | | | | |
|--------------------------|-----------|-----------------|------|----------------|
| CONT. C. TARTARI (CHK) - | LOC. SIZE | NUMERO (DWG NO) | REV. | FOGLIO (SHEET) |
| APP. - (CAPP.) | I A4 | C-153259 | P | 1 DI (OF) 1 |

| | | | | |
|-----------------------------|-----------------|-----------------------------------|-----------|-------------|
| DISTRIBUZIONE (PRINT DIST.) | P | REDRAWN & REVISED ET00-0075-03 | HY | 23 MAY 2003 |
| | REV. (REV.LTR.) | REVISIONI (REVISION RECORD) | DIS. (DR) | DATA (DATE) |